



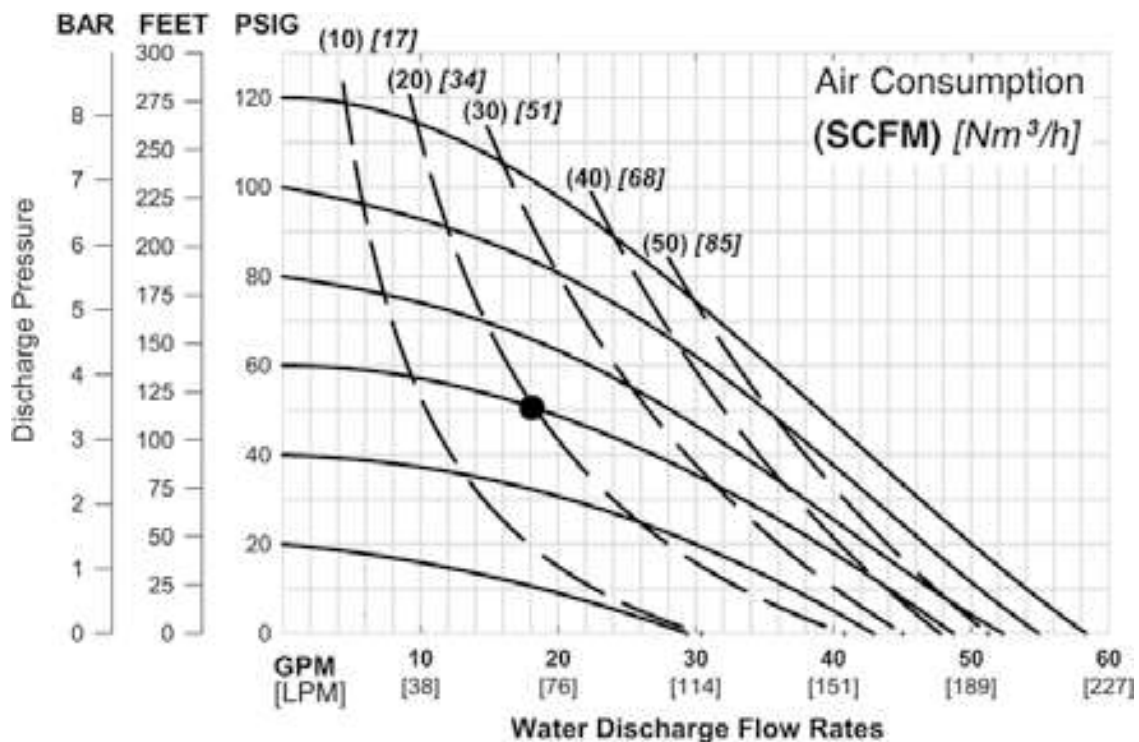
# AIR OPERATED DOUBLE DIAPHRAGM PUMP

## SECTION 1 – NOMENCLATURE

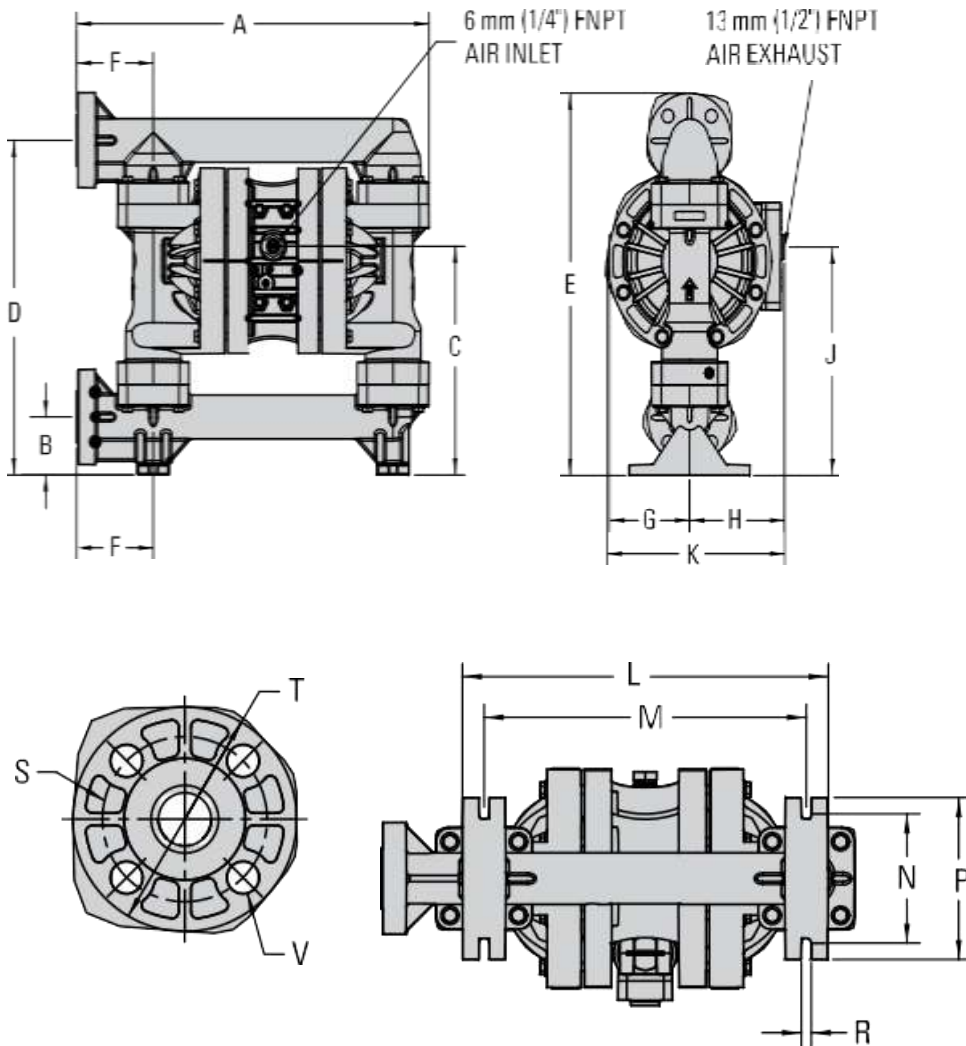
<b>Max Flow rate</b>	: 135Lpm
<b>Port Size</b>	: Inlet : 25.40mm (1" BSP) Discharge : 25.40mm (1" BSP) Air Inlet : 1/4" BSP Air Exhaust : 12.70mm (1/2" BSP)
<b>Suction Lift</b>	: Dry : 3.05m (10') Wet : 4.89m (16')
<b>Teflon</b>	: Dry : 2.14m (7') Wet : 3.98m (13')
<b>Max Particle Size (Dia)</b>	: 3.17mm (0.125")
<b>Diaphragm</b>	: Teflon, <u>Santoprene</u> , Buna



## SECTION 2 – FLOW CURVES

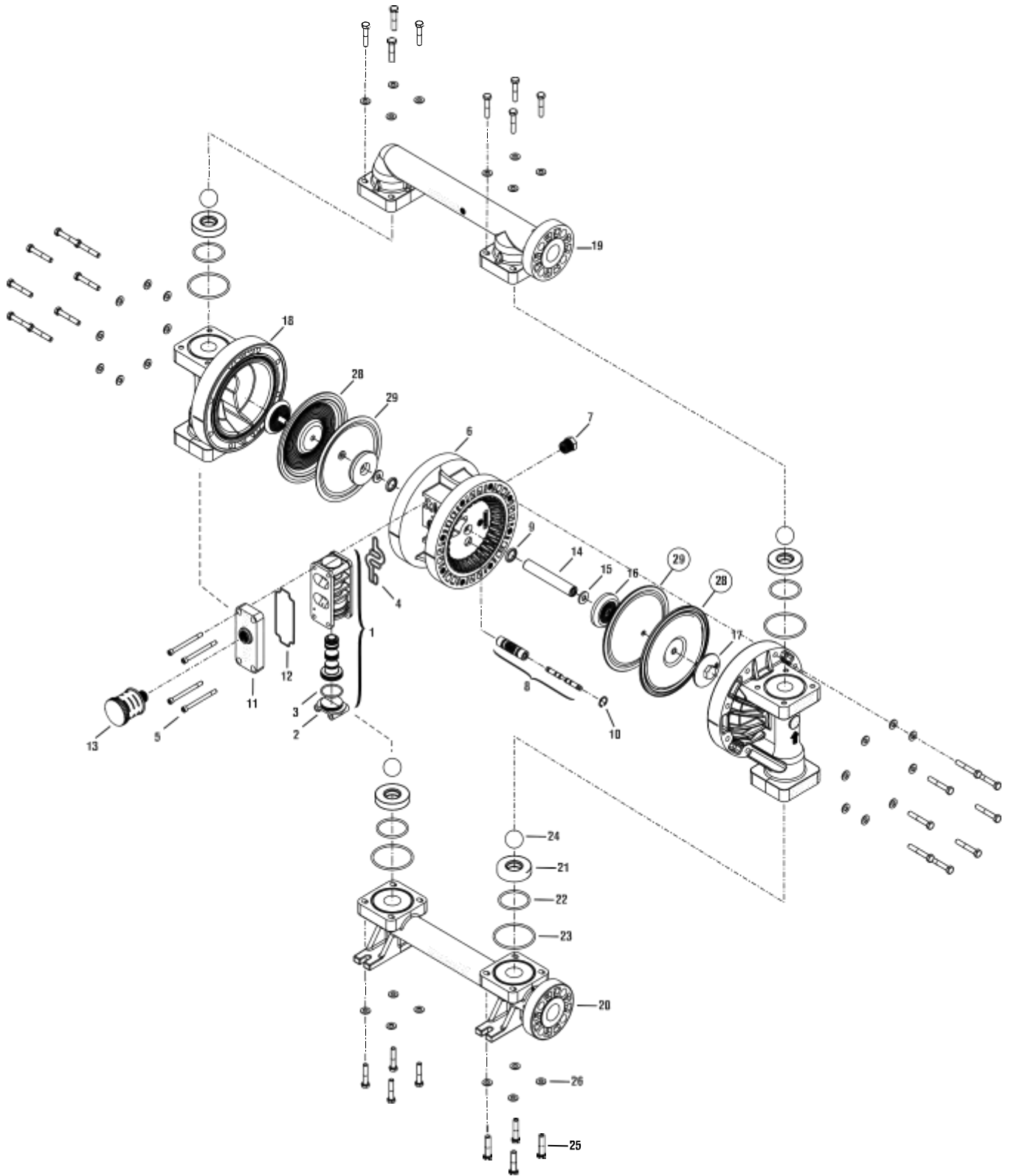


### SECTION 3 – DIMENSIONS DRAWING



ITEM	METRIC (mm)	STANDARD (inch)
A	457	18.0
B	66	2.6
C	259	10.2
D	381	15.0
E	434	17.1
F	99	3.9
G	104	4.1
H	122	4.8
J	259	10.2
K	231	9.1
L	353	13.9
M	310	12.2
N	124	4.9
P	157	6.2
R	10	0.4
<b>DIN FLANGE</b>		
S	85 DIA.	3.3 DIA.
T	115 DIA.	4.5 DIA.
U	14 DIA.	0.6 DIA.
<b>ANSI FLANGE</b>		
S	79 DIA.	3.1 DIA.
T	108 DIA.	4.3 DIA.
U	16 DIA.	0.6 DIA.

## SECTION 4 – PUMP VIEW



## SECTION 5 – SPARE PART LIST

No.	Part Description	Qty.	Teflon-Fitted	Santoprene-Fitted
1	Air Valve Assembly	1	N01-2010-20	N01-2010-20
2	End Cap	2	N01-2332-20	N01-2332-20
3	O-Ring End Cap	1	N01-2395-52	N01-2395-52
4	Gasket, Air Valve	1	N01-2615-52	N01-2615-52
5	Screw, HSHC, Air Valve	4	N01-6001-03	N01-6001-03
6	Center Section	1	N02-3142-20	N02-3142-20
7	Bushing, Reducer	1	N01-6950-20	N01-6950-20
8	Pilot Sleeve Assembly	1	N02-3880-99	N02-3880-99
9	Slyder Ring	2	N02-3210-55-225	N02-3210-55-225
10	Retaining Ring	2	N02-2650-03	N02-2650-03
11	Muffler Plate	1	N01-3181-20	N01-3181-20
12	Gasket, Muffler Plate	1	N01-3505-52	N01-3505-52
13	Muffler	1	N02-3510-99	N02-3510-99
14	Shaft	1	N02-3840-03	N02-3810-03
15	Disc Spring	2	N02-6802-08	N02-6802-08
16	Inner Piston	2	N02-3751-01	N02-3701-01
17	Outer Piston	2	N02-4600-21-500	N02-4550-21-500
18	Liquid Chamber	2	N02-5005-20	N02-5005-20
19	Discharge Manifold	1	N02-5030-20	N02-5030-20
20	Inlet Manifold	1	N02-5090-20	N02-5090-20
21	Valve Seat	4	N02-1125-20	N02-1125-20
22	Valve Seat O-Ring	4	N02-1220-60	N02-1220-60
23	Flange O-Ring	4	N04-1300-60-500	N04-1300-60-500
24	Valve Ball	4	N02-1085-55	N02-1085-55
25	Flange Bolt	4	N02-6181-03	N02-6181-03
26	Washer	32	N02-6731-03	N02-6731-03
27	Chamber Bolt	16	N02-6191-03	N02-6191-03
28	Diaphragm	2	N02-1010-55	N02-1010-58
29	Back-Up Diaphragm	2	N02-1060-51	N02-1060-51